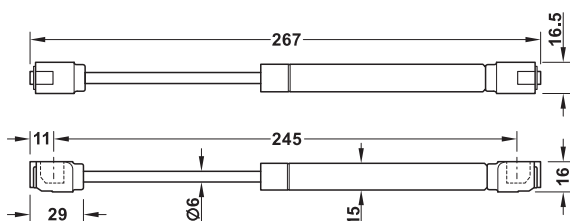
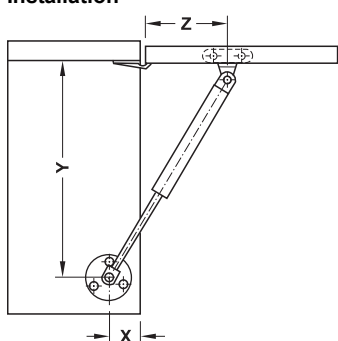


Gas-filled strut

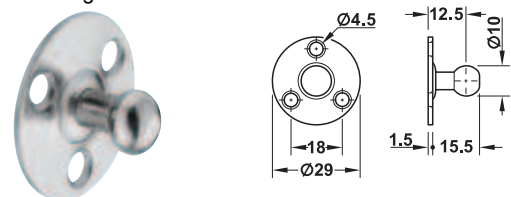
For wooden lids or lids with aluminium frame



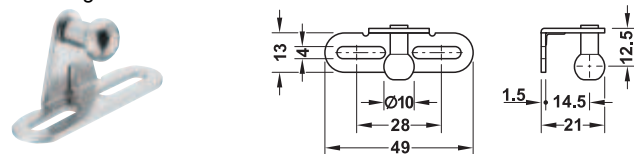
Installation



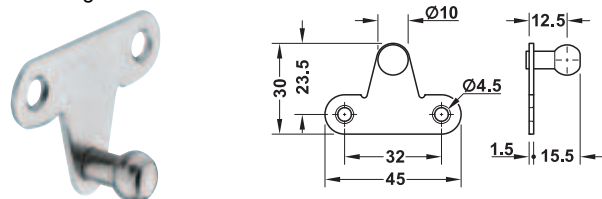
Mounting bracket for cabinet



Mounting bracket for wooden lid



Mounting bracket for aluminium lid



- > Material: Steel
- > Finish: Nickel plated
- > Opening angle: 75–110°
- > Installation: With mounting bracket for screw fixing, gas-filled strut without tools (quick fixing system)

Sample measurements table for mounting dimensions when using hinges for full overlay mounting

Opening angle	Dim. mm		
	X	Y	Z
75°	25	258	80
90°	25	236	80
110°	25	218	70

Sample measurements tables

Max. lid weight (kg) with 75° application

Spring force	Lid height mm			
N	300	400	500	600
60	2.0	1.5	1.2	1.0
80	2.7	2.0	1.6	1.4
100	3.4	2.6	2.0	1.7
120	4.1	3.1	2.5	2.0
150	4.7	3.5	2.9	2.4

Max. lid weight (kg) with 90° application

Spring force	Lid height mm			
N	300	400	500	600
60	1.8	1.3	1.1	0.9
80	2.4	1.8	1.4	1.2
100	3.0	2.2	1.8	1.5
120	3.6	2.7	2.1	1.8
150	4.1	3.2	2.3	2.1

Max. lid weight (kg) with 110° application

Spring force	Lid height mm			
N	300	400	500	600
60	1.6	1.2	0.9	0.8
80	2.1	1.6	1.2	1.0
100	2.6	1.9	1.6	1.3
120	3.1	2.3	1.9	1.6
150	3.5	2.6	2.2	1.9

Note

The sample measurements tables apply to one gas-filled strut. The load bearing capacity doubles when using 2 gas-filled struts. It is recommended to use 2 gas-filled struts for parallel and synchronous opening action of large lids.

Supplied with

- 1 gas-filled strut
- 1 mounting bracket for cabinet
- 1 mounting bracket for wooden lids
- 1 mounting bracket for lids with aluminium frame with frame width 20 mm
- 1 set of installation instructions
- Fixing material

Spring force N	Cat. No.
60	373.82.906
80	373.82.907
100	373.82.908
120	373.82.909
150	373.82.910

Packing: 1 piece